
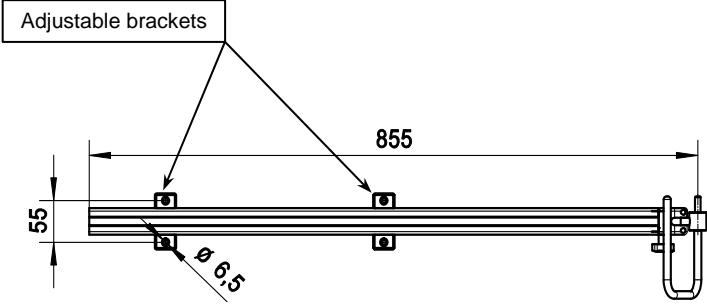

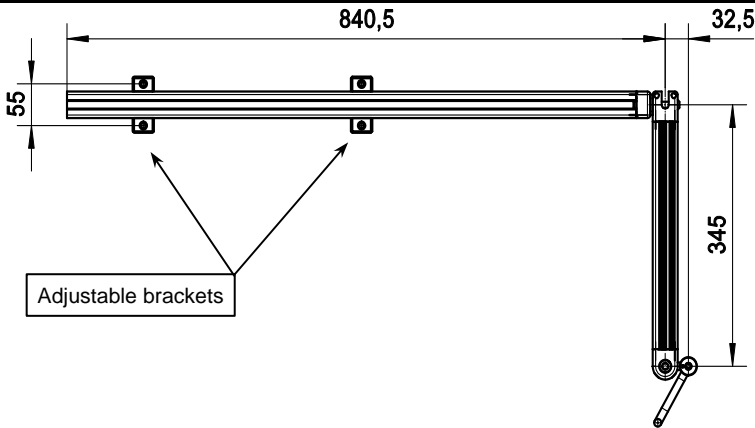

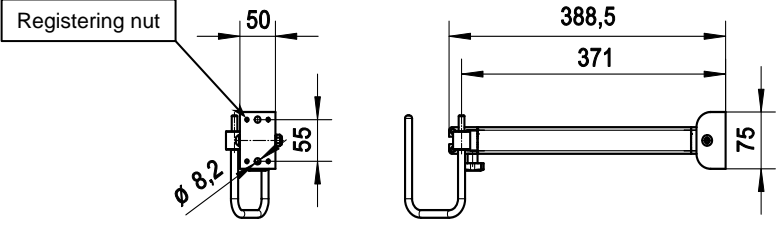



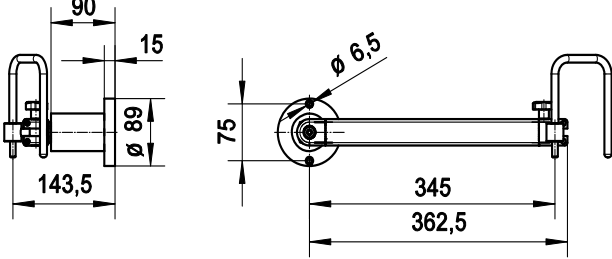
Code ST10	Project A07-B	Release B	TECHNICAL DATASHEET

SUPPORTING ARMS FOR DIGITAL READOUTS


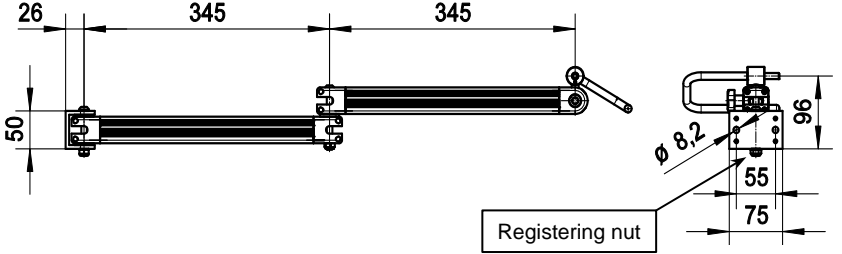
Mod. 1		VERTICAL FIXING
		 <p>Adjustable brackets</p> <p>855</p> <p>55</p> <p>Ø 6,5</p>


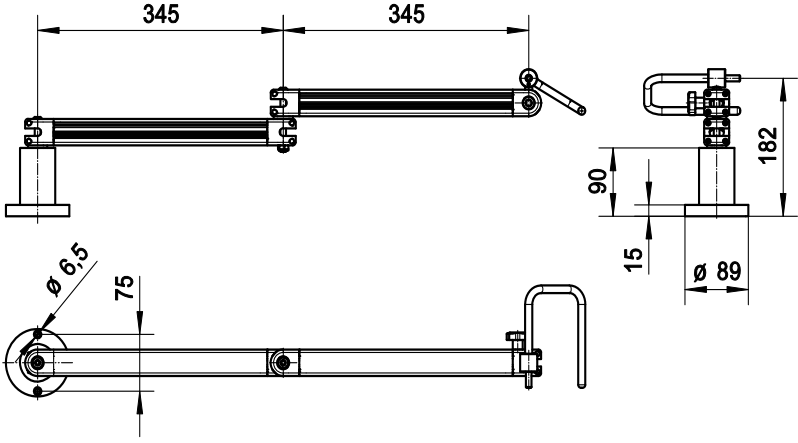
Mod. 2		VERTICAL FIXING WITH SINGLE HINGED ARM
		 <p>Adjustable brackets</p> <p>840,5</p> <p>55</p> <p>32,5</p> <p>345</p>


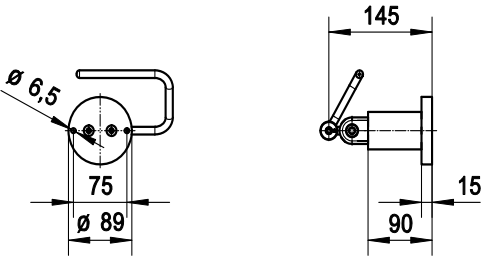
Mod. 3		WALL FIXING WITH SINGLE HINGED ARM
		 <p>Registering nut</p> <p>50</p> <p>55</p> <p>Ø 8,2</p> <p>388,5</p> <p>371</p> <p>75</p>


Mod. 4		SURFACE FIXING WITH SINGLE HINGED ARM
		 <p>90</p> <p>15</p> <p>143,5</p> <p>Ø 89</p> <p>75</p> <p>345</p> <p>362,5</p> <p>Ø 6,5</p>

Code	Project	Release	TECHNICAL DATASHEET
ST10	A07-B	B	

Mod. 5		WALL FIXING WITH DOUBLE HINGED ARM
		

Mod. 6		SURFACE FIXING WITH DOUBLE HINGED ARM
		

Mod. 7		SURFACE FIXING
		

Mod. Argo		VERTICAL FIXING ON ROUND BAR $\varnothing 25$ mm
		